

PureLine Brilliant White 30" Convection Oven

H 6280 BP BRWS



PureLine 30" Convection Oven

H 6280 BP BRWS



H 6280 BP BRWS

Features:

- DirectSelect controls offer turn dial operation with a 7-segment liquid crystal display
- Self Clean oven
- 8 Operating Modes
- Rapid PreHeat
- CleanGlass Door
- Timer
- TwinPower Fans provide optimum and even distribution of hot air
- Soft Open and Soft Close for an easier handling
- The simple yet sleek Silhouette handle seems to float enhancing its modern design lines.



SPECIFICATIONS

H 6280 BP BRWS – Item 22628013USA

| | |
|--|---|
| Overall Unit Width - Excluding Fascia Dimension | 28 ⁷ / ₁₆ " (722 mm) |
| Overall Unit Height - Excluding Fascia Dimension | 27 ³ / ₄ " (705 mm) |
| Overall Unit Depth- Excluding Fascia Dimension | 23 ³ / ₄ " (603 mm) |
| Oven Door Clearance | 22" (558 mm) |
| Overall Fascia Dimensions | 29 ¹³ / ₁₆ " (757 mm) W x 28 ⁵ / ₈ " (727 mm) H x 7 ⁷ / ₈ " (22mm) D |

Built-In

| | |
|--------------------------------|--|
| Minimum Cabinet Opening Width | 28 ¹ / ₂ " (724 mm) |
| Minimum Cabinet Opening Depth | 24" (610 mm) |
| Minimum Cabinet Opening Height | 28 ¹ / ₄ " (718 mm) |
| Minimum Base Support | 250 lbs (113 kg) |
| Additional Cut-outs Required | Cut-out 4" x 28" (100 cm x 720 cm) in the bottom of the cabinet for power cord and ventilation |

Electrical

| | |
|-------------------------|--|
| Electrical Requirements | 120/240V, 60Hz, 30A 120/208V, 60Hz, 30A |
| Power Cord | NEMA 14-30 plug, 6 ft (1.8 m) |

Shipping

| | |
|---------------------|--|
| Shipping Weight | 216 lbs |
| Shipping Dimensions | 32 ¹¹ / ₁₆ " W x 35 ¹ / ₁₆ " H x 30 ⁵ / ₁₆ " L |

Support

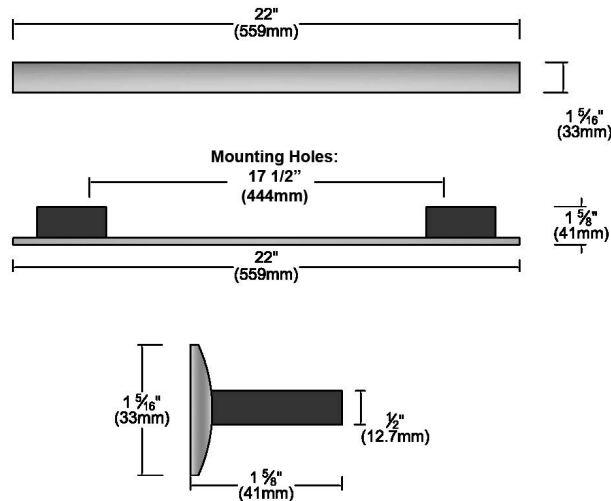
| | |
|---------------|-----------------------|
| Call Miele | 800.843.7231 |
| Miele Website | ☎www.mieleusa.com |
| 20/20 Link | ☎2020technologies.com |

PureLine 30" Convection Oven H 6280 BP BRWS



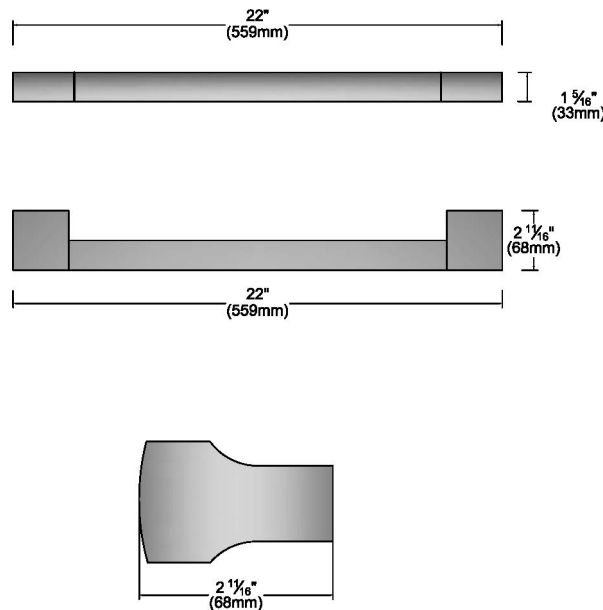
HANDLE DETAILS

All Miele Signature And PureLine
Handle Dimensions



Please note hinges may require adjusting or replacing when changing from a ContourLine Handle to a Pureline or Miele Signature handle.

All ContourLine Handle
Dimensions



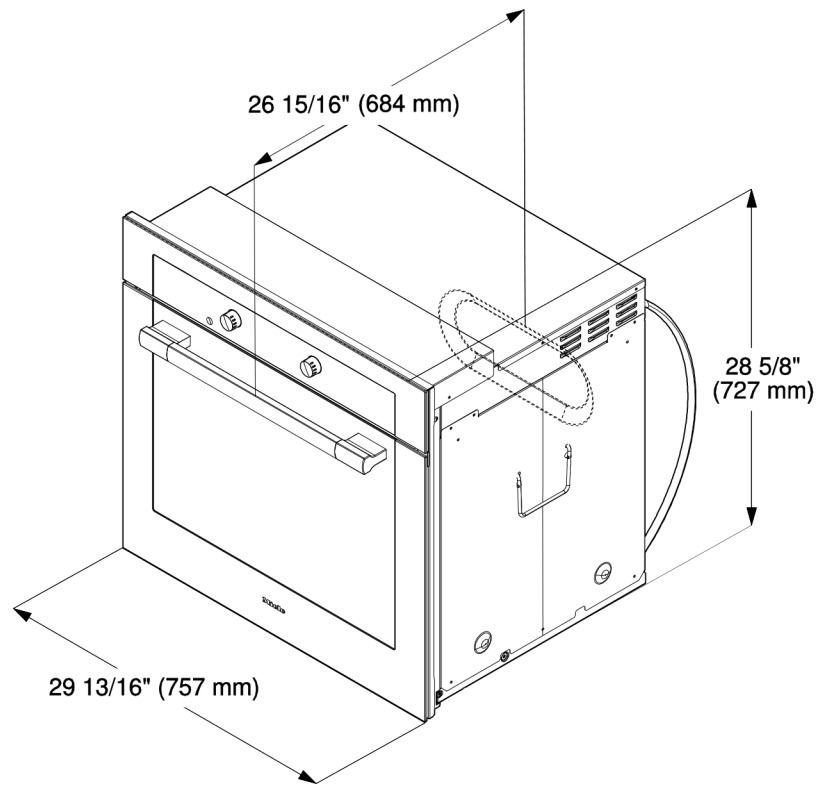
Please note hinges may require adjusting or replacing when changing from a Pureline or Miele Signature handle to a ContourLine Handle.

PureLine 30" Convection Oven H 6280 BP BRWS

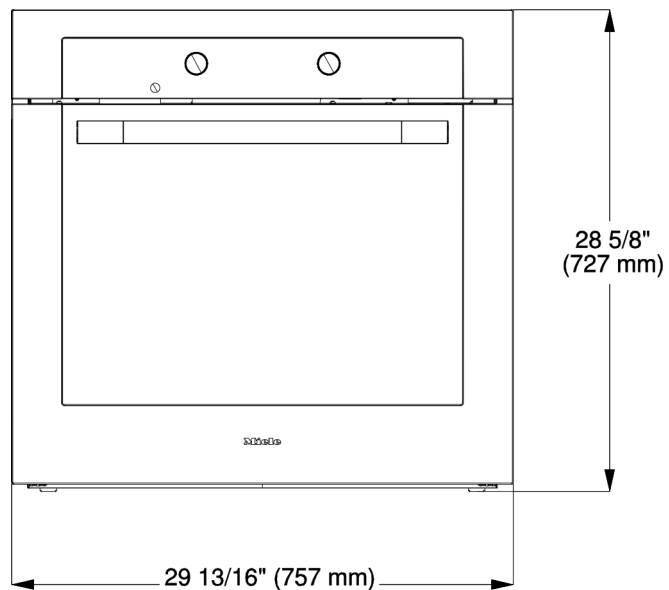


PRODUCT VIEWS

Isometric



Front

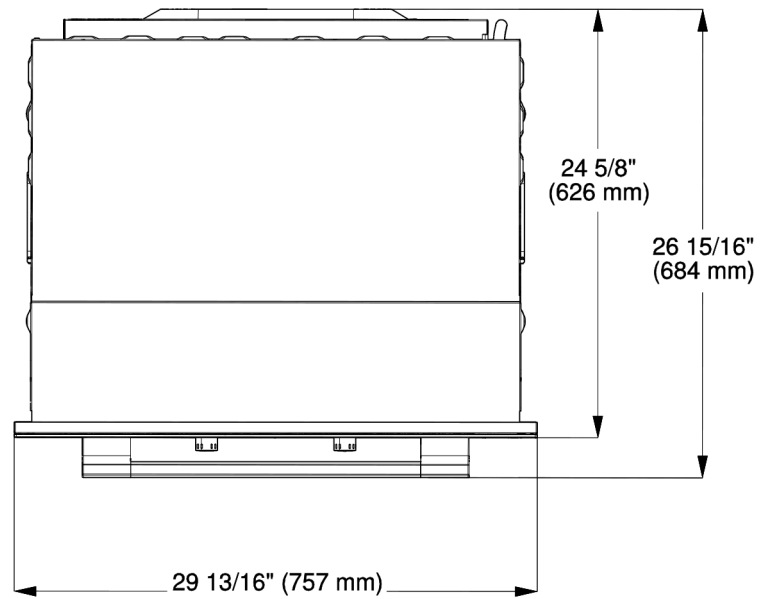


PureLine 30" Convection Oven H 6280 BP BRWS

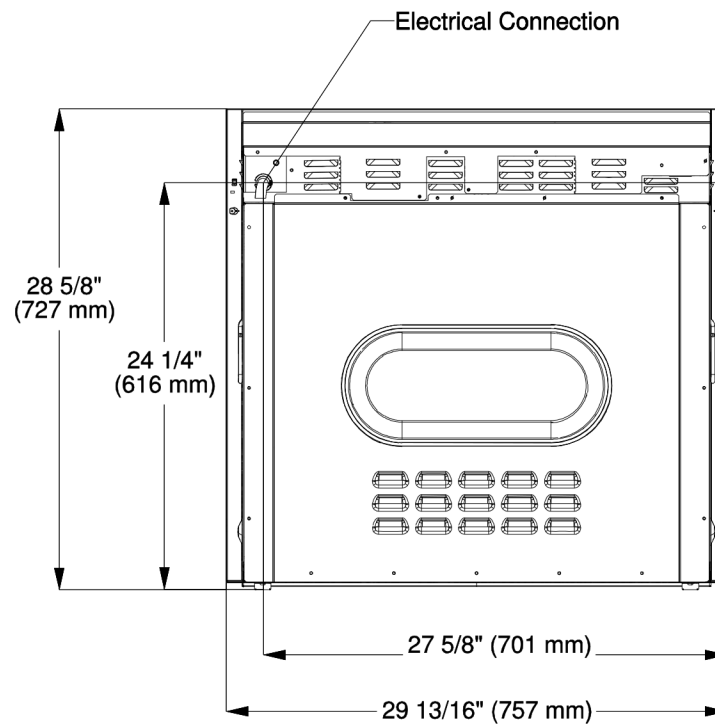


PRODUCT VIEWS

Top View



Rear View

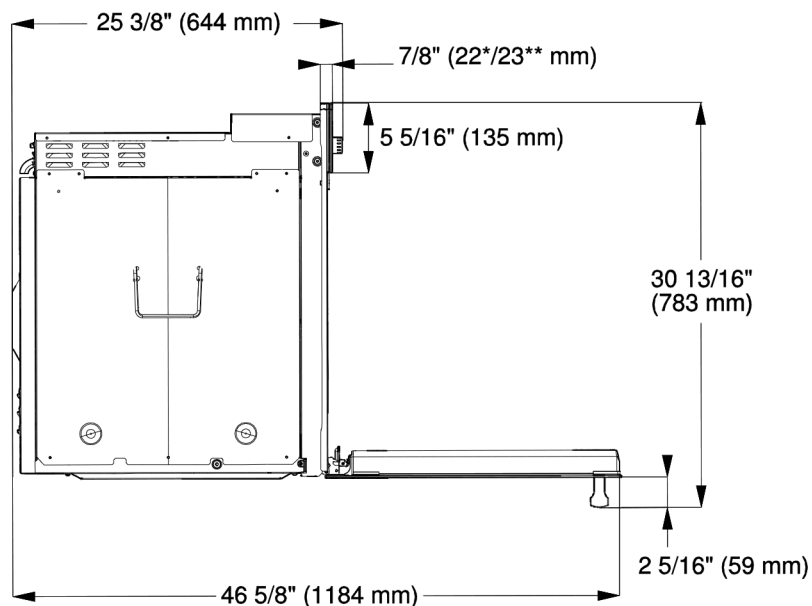


PureLine 30" Convection Oven H 6280 BP BRWS



PRODUCT VIEWS

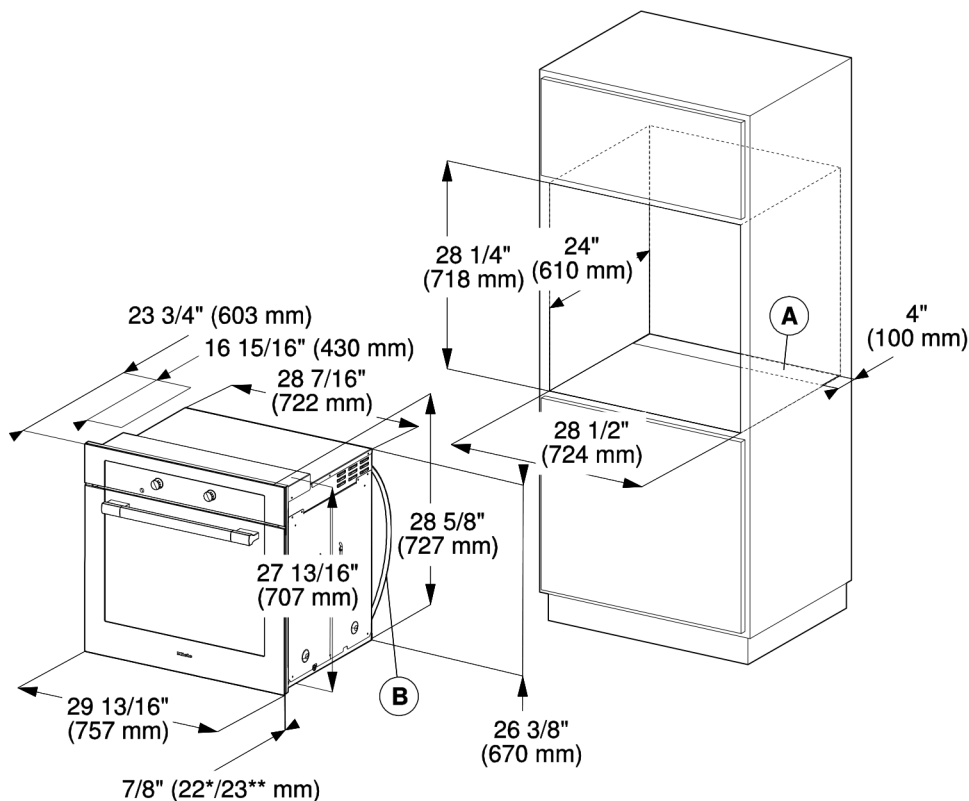
Side View



* Oven with glass front
** Oven with metal front

INSTALLATION SPECIFICATIONS

Install in Tall Cabinet



- Ⓐ Cut-out (4" x 28" / 100 mm x 720 mm) in the bottom of the cabinet for power cord and ventilation
- Ⓑ Power cord with plug

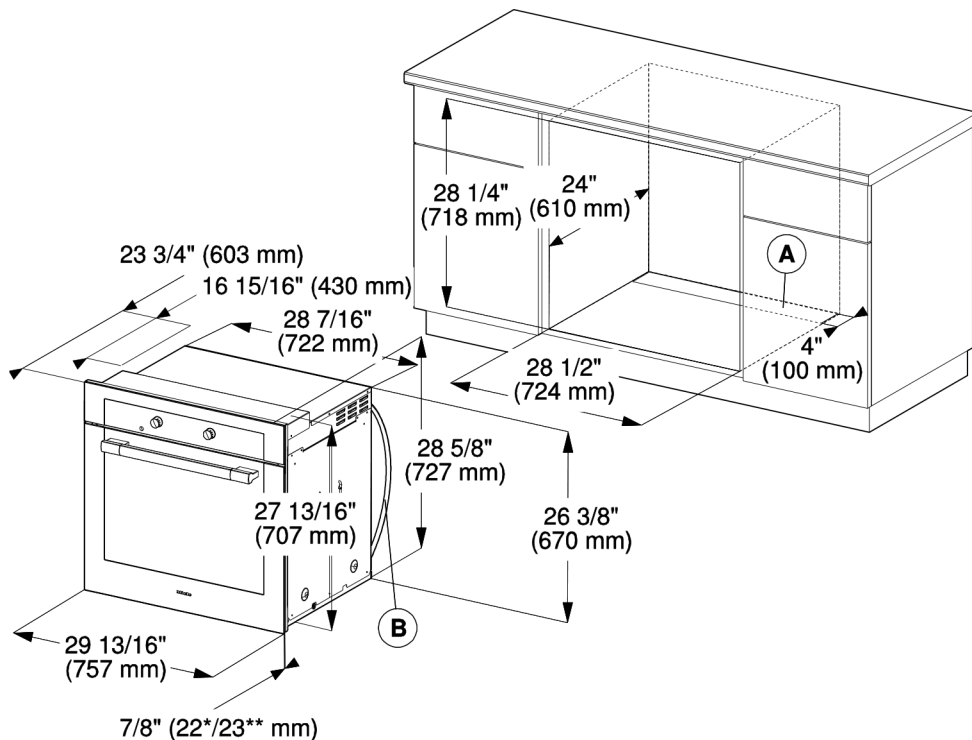
* Oven with glass front
** Oven with metal front

PureLine 30" Convection Oven H 6280 BP BRWS



INSTALLATION SPECIFICATIONS

Undercounter Installation



- Ⓐ Cut-out (4" x 28" / 100 mm x 720 mm) in the bottom of the cabinet for power cord and ventilation
- Ⓑ Power cord with plug

* Oven with glass front
** Oven with metal front

Undercounter Installation Front View Installed

